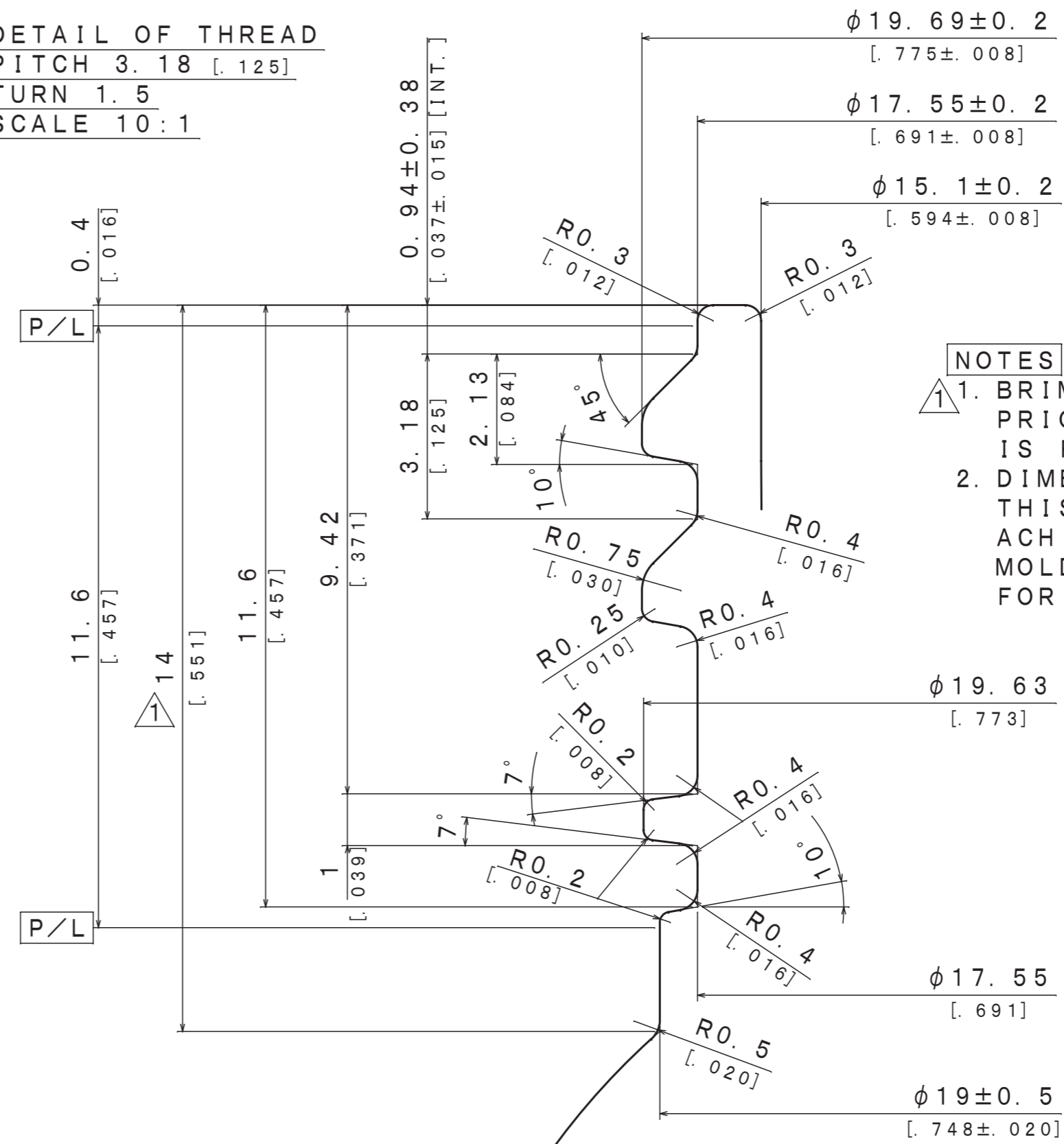
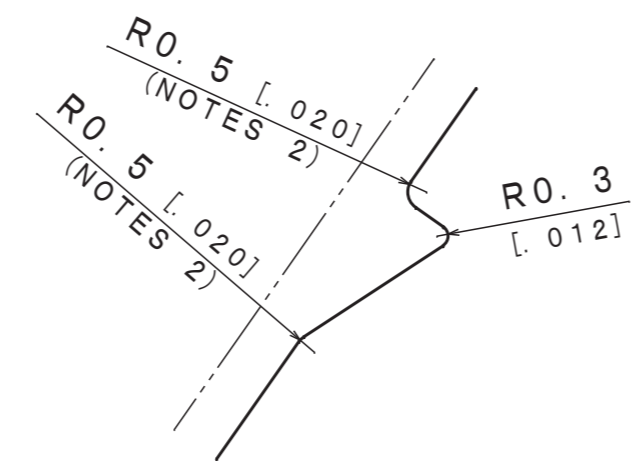


REV	REV	DATE	REV	REV
-00		15-JUL-2022	NECK: AM-19401-00 (BSS-10580) 変更	
-01		19-AUG-2022	BODY: 容積調整 ネック高さ、全長、上唇、BRIM変更	
-02			FILL LEVEL注記追加	
-03				
-04				

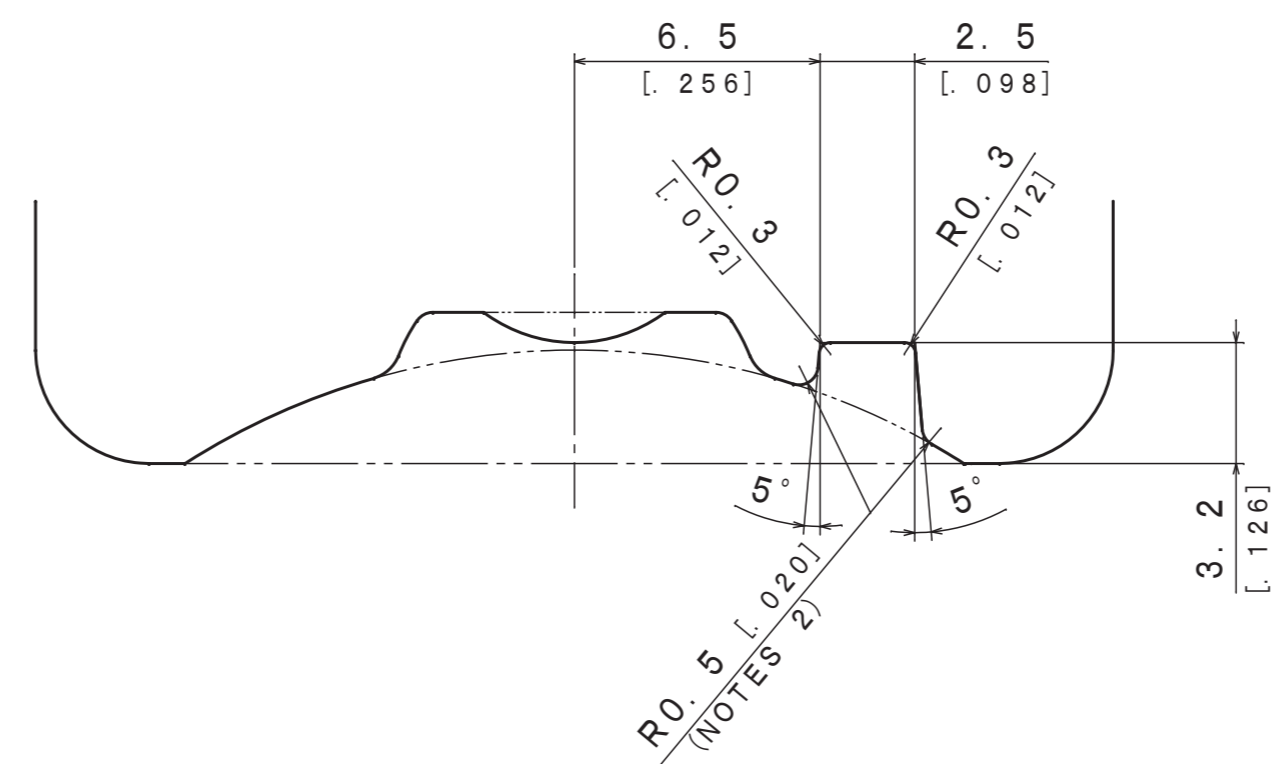
DETAIL OF THREAD  
 PITCH 3.18 [ .125 ]  
 TURN 1.5  
 SCALE 10:1



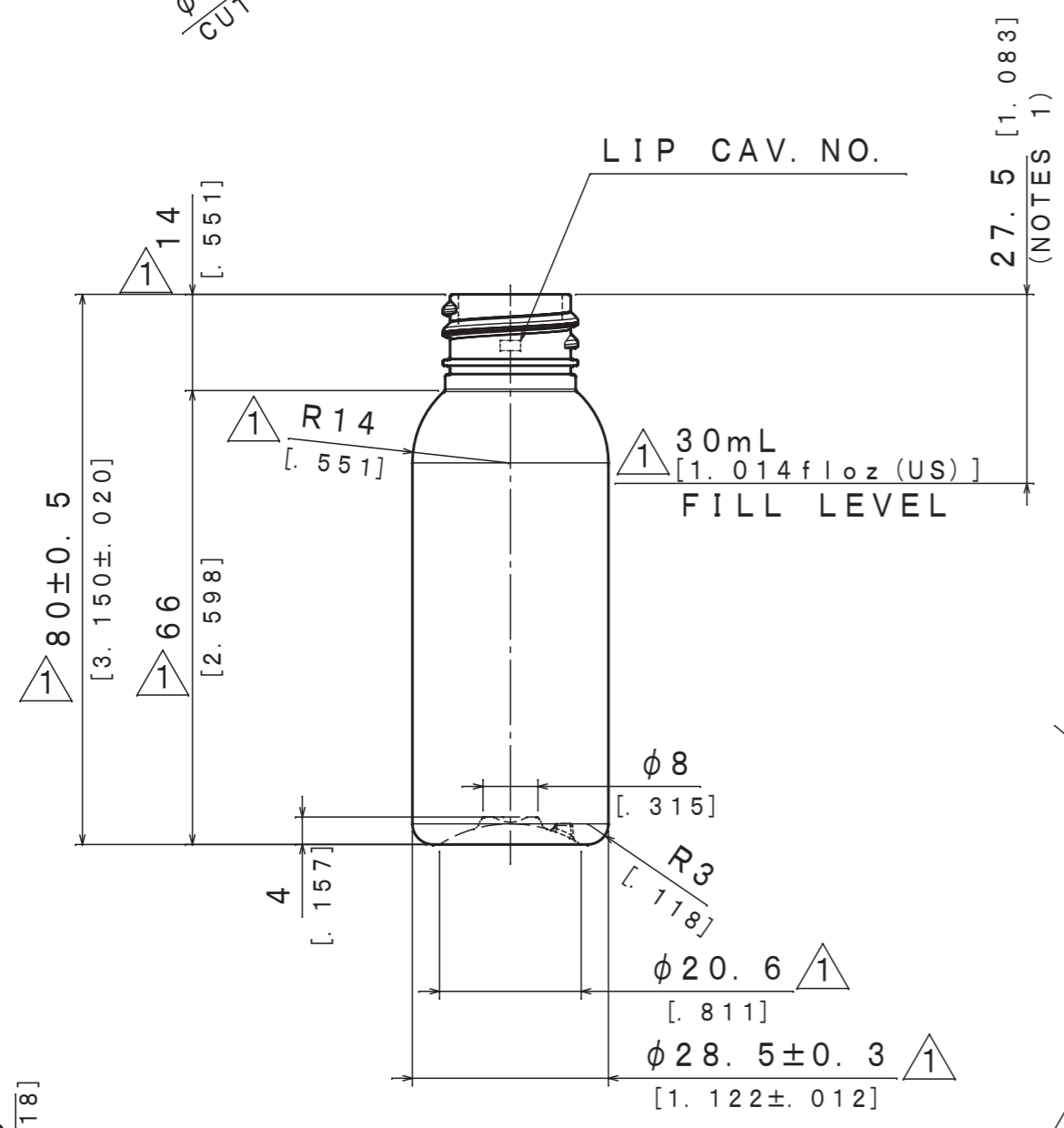
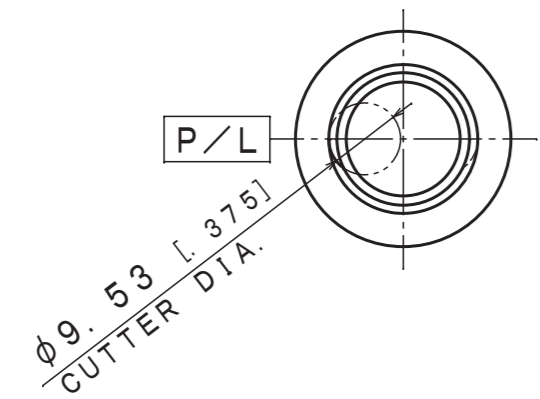
NOTES  
 1. BRIMFUL VOLUME GIVEN PRIORITY, SO FILL LEVEL IS FOR REFERENCE ONLY.  
 2. DIMENSIONAL ACCURACY OF THIS SECTION CANNOT BE ACHIEVED DURING BLOW MOLDING DIMENSIONS FOR REFERENCE ONLY.



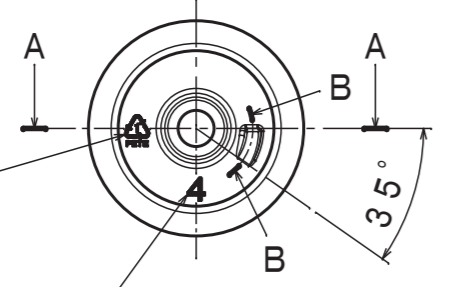
SECTION B-B  
 SCALE 5:1



SECTION A-A  
 SCALE 5:1



SCALE 2:1  
 RECYCLE MARK



SCALE 2:1  
 CAV. NO.



FOR APPROVAL

APPROVED  
 承認

CUSTOMER 顧客名	H3 PLASTICS LLC	COUNTRY 国名	U. S. A.
TITLE 品名	1oz BOSTON ROUND BOTTLE		
WEIGHT 重量	6.5±0.5g	BRIM 高さ	39±2mL [ 1.319±.068 fl oz (US) ]
MACHINE 機種	SBIII-100LL-20S	MATERIAL 成形材料	PET
SCALE 尺数	1:1	UNITS 単位	mm
CHECKED 検査	H. Tabuchi	DESIGNED 設計	M. Ishii
DRAWN 図取	M. Ishii	CAV. 取数	4
AOKI TECHNICAL LABORATORY, INC.		DRAWING NO. 図面番号	
		AM-19973-01	