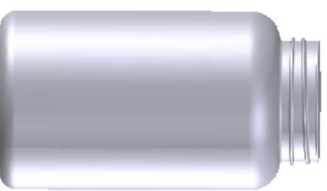
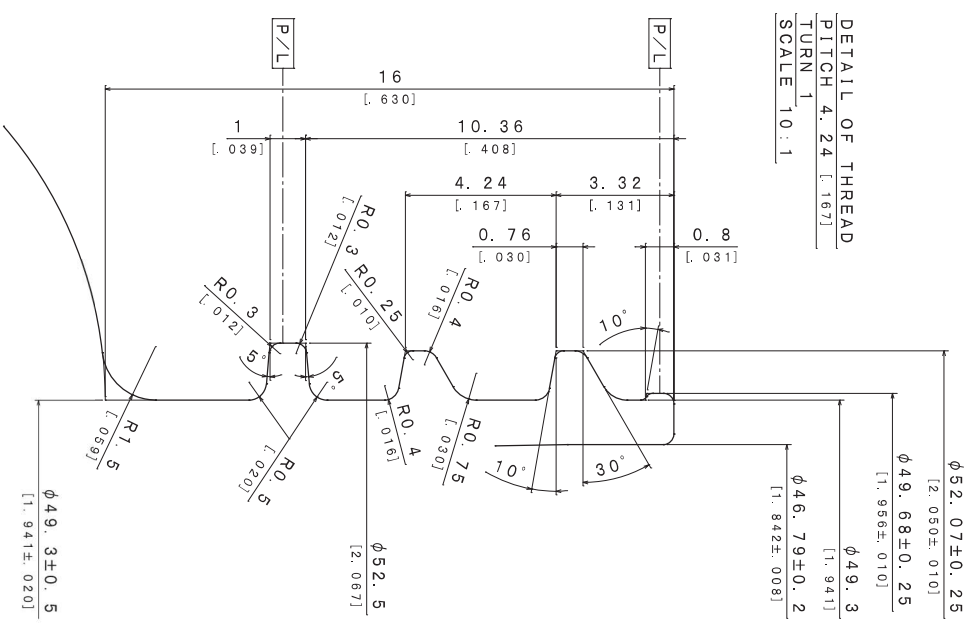


DETAIL OF THREAD
 PITCH 4.24 [1.67]
 TURN 1
 SCALE 10:1



		H3 Plastics LLC (801) 900-5738	
Scale: 1:1	Drawn By: SK	Date: 08/10/2022	
400cc Packer 53-400		Material: PET	Neck Finish:
Approved By: JSH Drawing NO: 19994-00-REF1		Overflow Capacity: 464 ± 6ml	Min Thk: TBD
		Weight: 38.0 ± 2.0	Color: All Colors
			Std Pack: TBD

REVISIONS	

Disclaimer
 H3 Plastics assumes no responsibility for form, fit, and function of closures, accessories, and/or shelf life and compatibility of intended contents with this bottle.

Proprietary and Confidential
 The information contained in this drawing is confidential. Any reproduction in part or as a whole without the written permission of H3 Plastics LLC is prohibited.

All measurements are in millimeters/inches

1 2 3 4 5 6 7 8 9 10

(A.2)