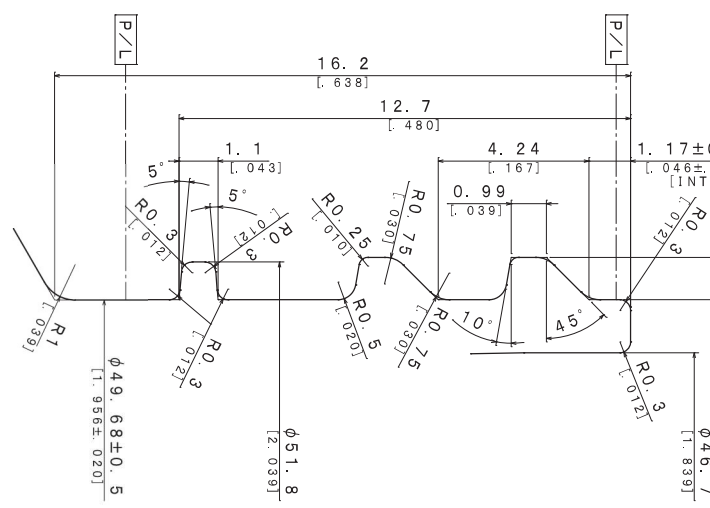
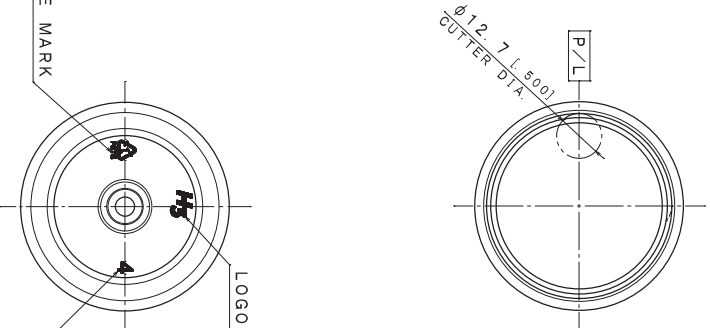
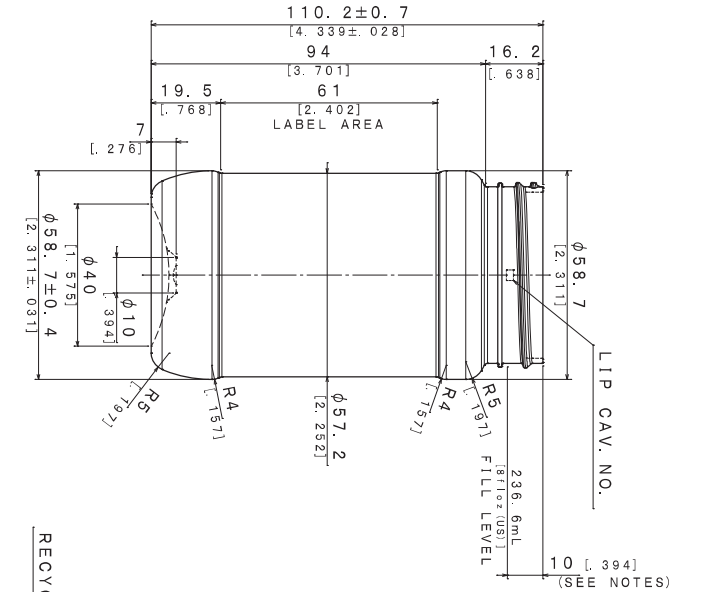


DETAIL OF THREAD
 PITCH 4.24 [1.67]
 TURN 1.25
 SCALE 10:1



H3 PLASTICS

H3 Plastics LLC
 (801) 900-5738

Scale: 1:1
 Drawn By: YK
 Date: 03-31-2022

8oz Spice Jar
M53-SP400

Approved By: JSH
 Drawing NO: AM-19885-00

All measurements are in millimeters/inches

Material:	PET
Neck Finish:	M53-SP400
Overflow Capacity:	254.0 ± 4.0mL (8.59 ± 1.35floz)
Min Thk:	.38mm
Weight:	20.0 ± 1.0
Color:	All Colors
Std Pack:	TBD/Stack

REVISIONS

Disclaimer
 H3 Plastics assumes no responsibility for form, fit, and function of closures, accessories, and/or shelf life and compatibility of intended contents with this bottle.

Proprietary and Confidential
 The information contained in this drawing is confidential. Any reproduction in part or as a whole without the written permission of H3 Plastics LLC is prohibited.

